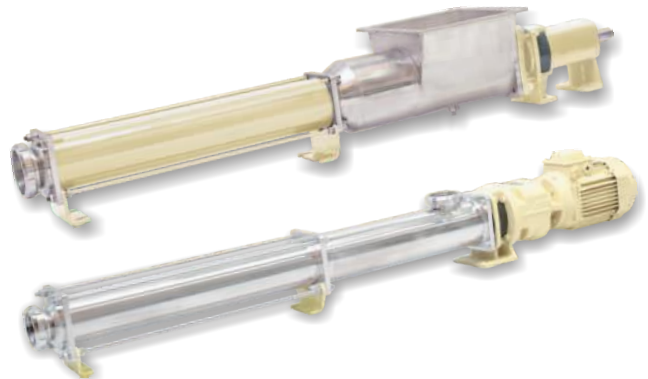


Making your challenges  
**MANAGEABLE**

FOOD • WINE • BEVERAGES • COSMETICS



## DM SERIES PUMPS

### Introduction

DM series pumps are specially designed for applications in food, beverage and cosmetic industries. These pumps are simple in construction with emphasis on quick cleaning. All metallic parts in contact with the media are 316 and 304 stainless steel with a smooth finish. Wide throat hopper inlets incorporating coupling rod mounted augers are available for highly viscous media.

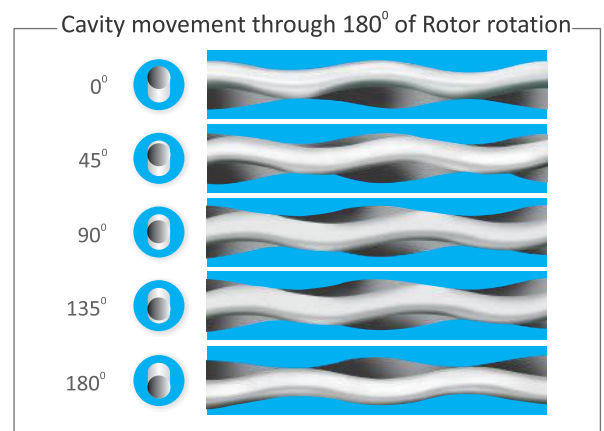
### Distinctive design, features and benefits

- **POSITIVE DISPLACEMENT**  
The head developed is independent of speed, whereas capacity is proportionate to the speed
- **NON CONTAMINATING METALS**  
All metallic surfaces in contact with the media are smooth surface stainless steel
- **NO RETAINING POCKETS**  
Avoids chemical or bacterial contamination
- **CLEANING IN PLACE**  
Ensures positive cleaning
- **HIGH SUCTION LIFT**  
Ideal for lifting viscous fluids. Effective even in high vacuum conditions
- **LOW FLUID VELOCITY**  
Ensures gentle handling of shear sensitive fluids
- **UNIFORM FLOW**  
No pulsation, turbulence or aeration
- **NON CLOGGING**  
Ability to handle solids in suspension or mixtures containing high percentage of solids
- **SELF PRIMING**  
Can handle high percentage of air/gas/vapor with liquid
- **VERSATILITY**  
Handles any fluid from clear water to highly viscous media
- **REVERSIBLE**  
The rotation and direction of flow are reversible. This offers flexibility in handling variety of applications.



### Progressive Cavity Pumping Principle

The pumping elements consist of a precision machined single helical metal rotor and a double helical elastomer stator. With the rotor engaged in the stator a seal line is formed along the axis of the rotor. The seal line is maintained in both static and dynamic conditions. As the rotor turns inside the stator, a series of cavities form that progress from the suction to the discharge end of the pump. As one cavity opens and closes, it's opposing cavity closes and opens at exactly the same rate resulting in a constant non-pulsating fluid flow.



### Typical Applications

#### FOOD

- Milk • Curd • Oil slurries • Cheese • Ice-cream
- Chocolates • Taco • Sauce • Dough balms
- Lecithin • Jam • Butter oils • Diced vegetables
- Fruit pulp • Fruit juice • Beer • Beverages
- Liquor • Wine • Malt • Extracts
- Tomato pastes etc.

#### PHARMA AND COSMETICS

- Syrups • Pill pastes • Creams • Shampoos
- Tooth pastes • Heavy liquid lotion • Creams
- Selenium liquid • Chyawanprash • Bulk drugs
- Vitamins • Emulsion • Gelatin
- Essential oils concentrate • Ointments
- Liquid make up • Fruit pulp • Herbal pastes etc.

Zero leakage @ low torque



**SPECTRO ANALYTICAL LABS LIMITED**

**TEST REPORT**

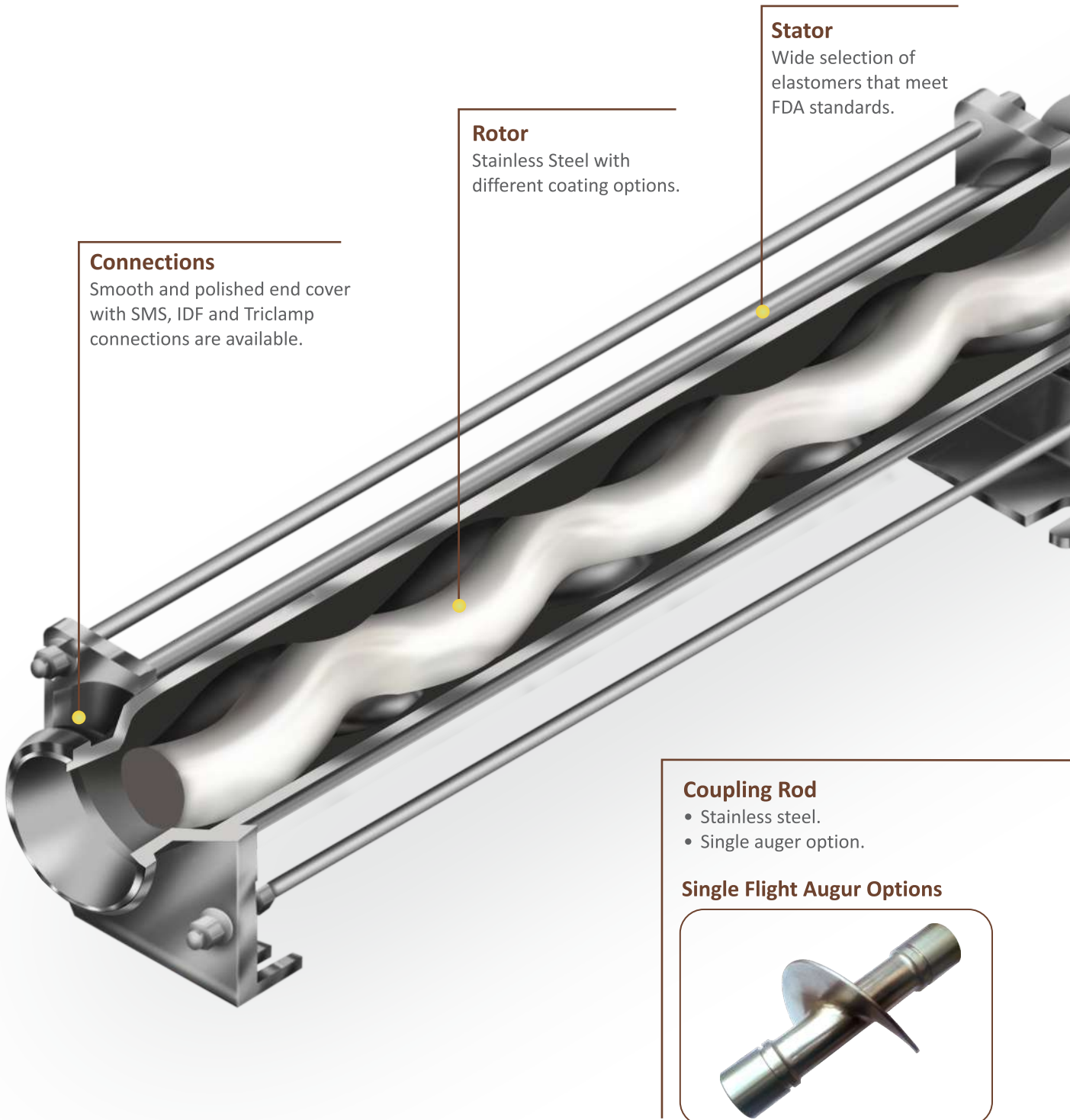
Page No. 41 of 81

Date of Issue of Report: 18/03/2015  
Date of Completion of Test: 15/03/2015

**FOOD CONTACT TEST**

S/N	SYMBOL	QUALITATIVE RESULTS (PASS/FAIL)	REMARKS	TEST METHOD
1	Unfused for 1000h (temperature for 1000h, dry test)	PASS	175.00mpa	ASTM
	Unfused for 1000h (for 1000h, dry test)	FAIL	10.00mpa	YES
2	Unfused water for 1000h (temperature for 1000h, dry test)	FAIL	10.00mpa	YES
	Unfused for 1000h (for 1000h, dry test)	FAIL	10.00mpa	YES

TRA-150095



### Shaft Sealing

- Single coil mechanical Seal flushed by the product.
- Double mechanical seal or Soft gland packing optional.

### CIP (Cleaning in Place)

Single and double CIP ports available.



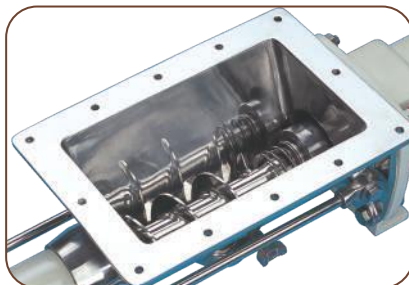
**24 MONTHS**  
WARRANTY

### Cardan Universal Joint

### Suction Housing

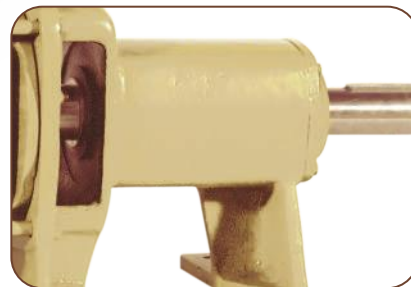
- Polished stainless steel.
- Jacketed housings optional.
- For viscous fluids wide throat pump housing available.

### Wide Throat



### Close Coupled Drive Options

- Pump lanterns designed for gear motors or mechanical variable speed drives.
- Bearing Housing optional.

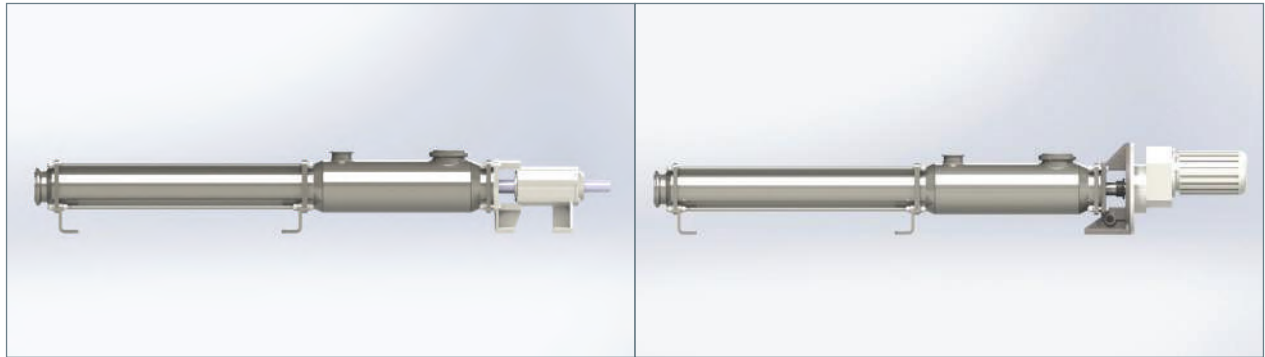


### Material Options

- Fabricated stainless steel housing
- Stainless steel rotor
- Stainless steel hardware
- Stator options:
  - Nitrile Black
  - Nitrile Off-white
  - EPDM Black
  - EPDM White
  - Fluoroelastomer
- Other exotic materials
  - Duplex
  - Super Duplex

## Technical & Performance Information;

### Threaded Port Series



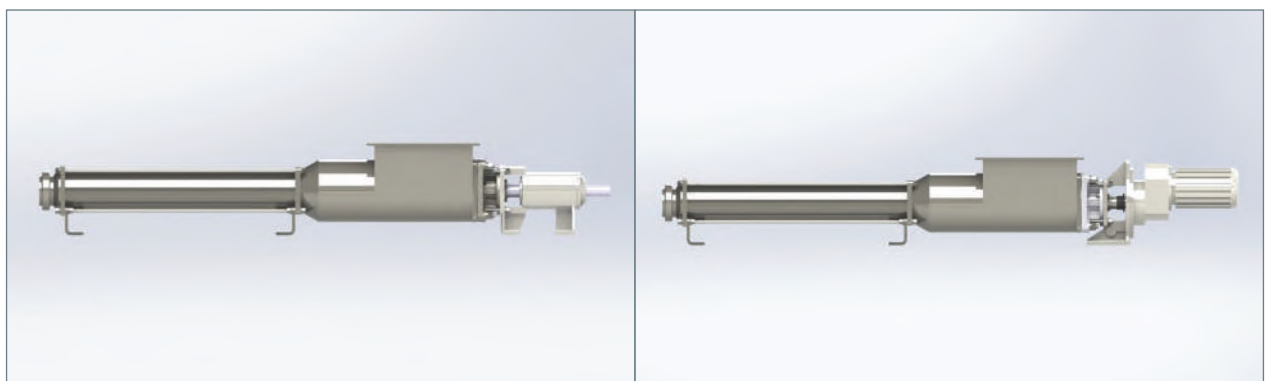
#### Single Stage Pumps

Size	51	53	54M	57M	59M	61M	63M
<b>Capacity</b>							
M <sup>3</sup> /hr	7	10	18	31	51	63	86
<b>Pressure</b>							
Bar	6	6	6	6	6	6	6

#### Two and Four Stage Pumps

Size	51	53	54	56	58	60	62
<b>Capacity</b>							
M <sup>3</sup> /hr	7	10	14	18	26	37	55
<b>Pressure</b>							
Bar	12	12	12	12	24	24	12

### Wide Throat Series



#### Two and Four Stage Pumps

Size	51	53	54	56	58	60	62
<b>Capacity</b>							
M <sup>3</sup> /hr	4	6	7	11	16	22	33
<b>Pressure</b>							
Bar	12	12	12	12	24	24	12

Roto Pumps Limited, Manufacturing Plant, India



Melbourne Office & Warehouse



Manchester Office & Warehouse



Roto Pumps North America, Inc



## ROTO PUMPS LTD.

### Marketing Head Office

Roto House,13, Noida Special Economic Zone, Noida - 201305, INDIA  
Tel.: +91 120 2567902-5 Fax: +91 120 2567911  
Email: contact@rotopumps.com

### Branch Offices and Warehouses

#### United Kingdom

Unit 1 St Elizabeths Park, Grey Street, Denton, Manchester, M34 3RU  
Tel.: +44 161 4775511 Fax: +44 161 4747900  
Email: sales@rotopumps.co.uk

#### Australia

26, Deans Court, Dandenong South, Victoria 3175  
Tel.: +61 3 97945200 Fax: +61 3 97945900  
E mail: melb@rotopumps.com.au

[www.rotopumps.com](http://www.rotopumps.com)

### Subsidiaries

#### Roto Pumpen GmbH

Am Brühl 17, 32423 Minden, Germany  
Tel: +49 571 40410077,  
Email: sales@rotopumpen.de

#### Roto Pumps North America, Inc.

5889 S Garnett Rd. Tulsa ,Oklahoma 74146  
Tel: +1 918 280 9144,Fax: +1 918 806 6853  
Email: info@rotopumpsna.com

#### Roto Pumps Africa (Pvt) Ltd

3, Sun Rock Close Germiston 1401, Africa  
Tel.: +27 10 100 3774  
Email: sales@rotopumps.co.za